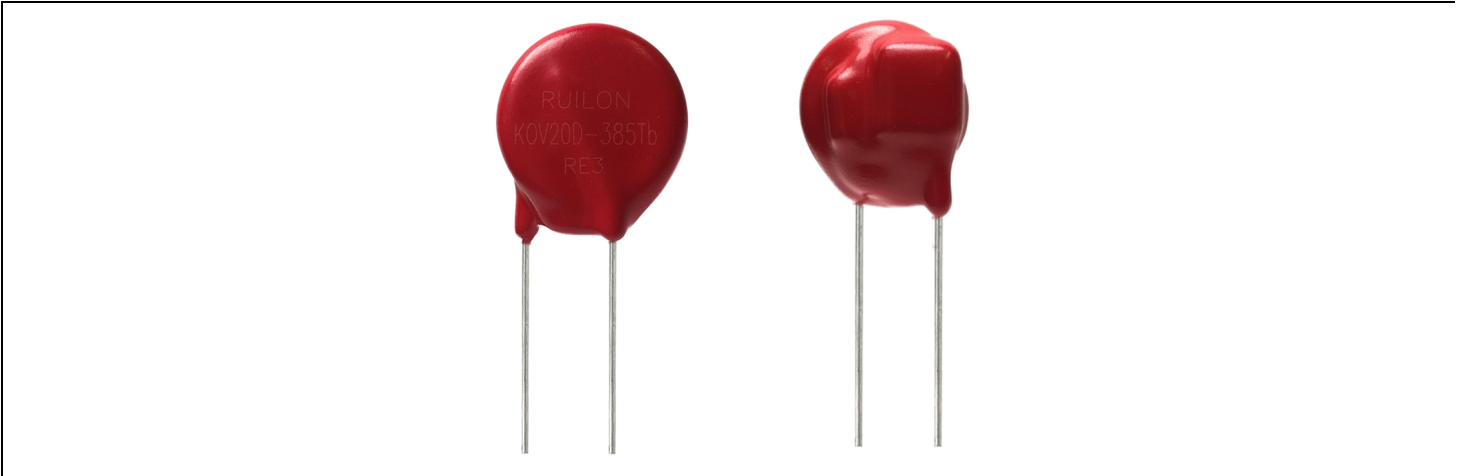


热保护型压敏电阻 KOV @Thermal Link



热保护型压敏电阻(Thermal Link & Varistors 简称 KOV@T)是合金型温度保险丝与压敏电阻通过内部有效热耦合结构实现即时取热的产品，具有过电压、浪涌和过温多重保护功能；本产品使用的压敏电阻具有高热容量和优良的过电压耐受能力，温度保险丝采用低阻抗的易熔合金，具有与压敏电阻相符的通流容量，且无接触电阻，在高浪涌电流冲击时不会发生永久性短路，在异常情况下 确保压敏电阻失效后能迅速从电路中脱离，有效避免了火险隐患。

KOV@T 符合 UL 1449（第四版），IEC/EN 61643-11, IEC 61051-2 等标准，同时满足 RoHS、REACH 等环保要求，适用于通讯电源、LED 电源、电力设备、电源防雷器、防雷插座、电源适配器及太阳能、风能等领域。

Thermal Link& Varistors (KOV@T) is a patented product in which the in-built Thermal Link and Varistors are able to achieve timely heat conducting owing to the effective thermo-coupling structure. KOV@T has over voltage protection, surge protection and multiple protection functions. The in-built Varistors has very high surge capacity and over voltage withstanding ability, the in-built Thermal Fuse's fusible alloy with low impedance has the same surge capacity as Varistors, furthermore, there is no contact impedance between Varistors and Thermal Fuse, therefore, KOV@T will not be permanent short circuit under high surge impact, and Varistors is able to be disconnected from the circuit under abnormal situations, to avoid any fire risk.

KOV@T complies with UL 1449 4th edition, IEC/EN 61643-11, IEC 61051-2 standards and RoHS & REACH. KOV@T is applicable for Telecom Power, LED Power, Electrical Equipment, Surge Protective Device, Power Strips (Surge Protector), Power Adapter, Solar Energy, Wind Energy, Railway, Military Field and so on.

**特性 Features**

- I 占用电路板面积小，节省空间 SPACE SAVING
- I 遥信功能可选 Optional Remote Signal Function
- I 使用环境：温度(-40 - 85 )°C，湿度≤95%RH  
Operating Condition: -40 °C to 85 °C, ≤95%RH
- I 封闭的热保护动作空间，安全可靠. Enclosed Space Of Thermal Protection, Safe And Reliable
- I 具热保护功能，避免压敏电阻劣化引起火灾. Thermal Protection Function, No Fire Rise Caused By Varistors's Degradation
- I 可选的状态指示接入点. Optional Status Indication

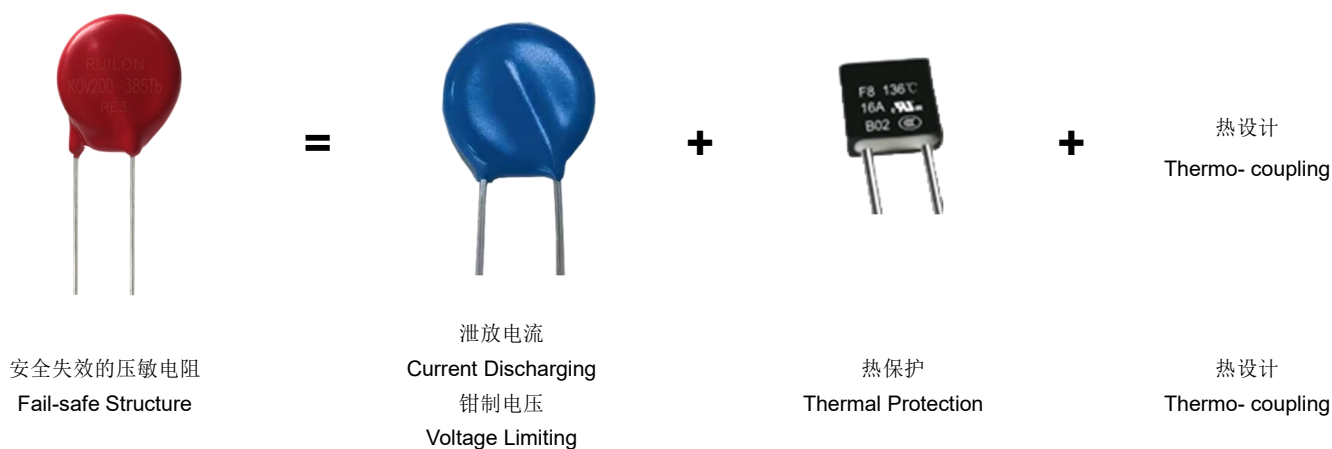
**应用 Applications**

- I 电表 Electricity Meter
- I 充电桩 Charging Pole
- I 光伏 PV System
- I 漏电保护器 GFCI
- I 家用电器 Home Electrical Appliance
- I 工业电源 Industrial Power Supply
- I 通讯电源 Telecom Power
- I 防雷插座 Surge Protecto

## 认证信息 Agency Information

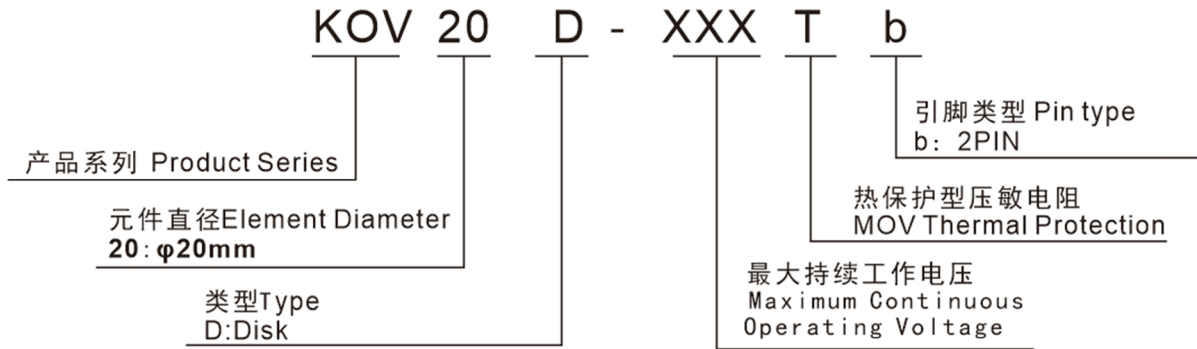
认证信息 Agency Information		标准 Standards		认证号 File NO .	
		温度保险丝 (TL: Thermal Link)	压敏电阻 Varistors	温度保险丝 (TL: Thermal Link)	压敏电阻 Varistors
	UL	UL 60691	UL 1449 4th Edition	E504471	E479668
	TUV	EN60691	EN 61643-11	R50442308 / R50497745	J50541477
	CQC	NA	GB4943.1-2011, GB8898-2011; GB/T 10193-1997, GB/T 10194-1997	NA	CQC22001337054

## 关键特性 Key Features



项目 Item	定义 Description
	1. 具有 Varistors 的功能; With the function of Varistors. 2. 劣化后失效时利用压敏电阻的热量转化为开路. When Varistors fails, the heat transferred from Varistors makes the circuit open
	1. 具有非线性的 V-I 特性曲线; With nonlinear V-I characteristic curve. 2. 转移冲击电流, 限制冲击电压幅值; Discharging impact current, limiting the amplitude of impulse voltage. 3. 劣化后失效时发热、短路, 易引发着火危险. Heating or short circuit caused by Varistors failure easily leads to fire hazard.
	1. 过温后断开电路; Disconnect the circuit when overheating. 2. 无触点, 通过较大冲击电流. Without contact impedance, be able to handle high impact current.
热设计 Thermo-coupling	1. 高导热、耐高温材料; High thermal conductivity, high temperature resistant material. 2. 高效率的热传导路径. Efficient heat conduction paths.

型号说明 Part Number Code



性能参数 Performance Parameters

产品型号 Type Number	最大持续工作电压 U <sub>c</sub> Maximum Continuous Operating Voltage		浪涌电流 (8/20μs) Current Impulse		压敏电压 Varistors Voltage @1mA dc		限制电压 Clamping Voltage (Max.)		最大能量 Max. Energy (10/1000μs)	静态电容量 Typical Capacitance (Reference) @1 kHz	符合标准 Comply with safety standards IEC62368-1:2018 GB4943.1-2022
	U <sub>c</sub> (Vac)	U <sub>CPV</sub> (Vdc)	I <sub>n</sub> (kA)	I <sub>max</sub> (kA)	Min.(V)	Max.(V)	V <sub>c</sub> (V)	I <sub>p</sub> (A)	(J)	(pF)	V <sub>r</sub>
KOV20D-050Tb	50	65	5	10	75	92	135	100	56	4900	50
KOV20D-060Tb	60	85	5	10	90	110	165	100	70	4000	60
KOV20D-130Tb	130	170	5	10	185	225	340	100	140	2000	130
KOV20D-140Tb	140	180	5	10	198	242	360	100	155	1800	140
KOV20D-150Tb	150	200	5	10	216	264	395	100	168	1650	150
KOV20D-175Tb	175	225	5	10	243	297	455	100	190	1500	175
KOV20D-190Tb	190	250	5	10	270	330	500	100	210	1300	190
KOV20D-210Tb	210	275	5	10	297	363	550	100	228	1200	210
KOV20D-230Tb	230	300	5	10	324	396	595	100	255	1100	230
KOV20D-250Tb	250	320	5	10	351	429	650	100	275	1000	250
KOV20D-275Tb	275	350	5	10	387	473	710	100	305	930	275
KOV20D-300Tb	300	385	5	10	423	517	775	100	350	850	300
KOV20D-320Tb	320	415	5	10	459	561	845	100	360	780	320
KOV20D-350Tb	350	460	5	10	504	616	925	100	380	710	350
KOV20D-385Tb	385	505	5	10	558	682	1025	100	390	650	385
KOV20D-420Tb	420	560	5	10	612	748	1120	100	400	600	420
KOV20D-460Tb	460	615	5	10	675	825	1240	100	420	530	460
KOV20D-510Tb	510	670	5	10	738	902	1355	100	460	500	510
KOV20D-550Tb	550	745	5	10	819	1001	1500	100	510	440	550
KOV20D-620Tb	620	820	5	10	900	1100	1650	100	565	400	620
KOV20D-680Tb	680	890	5	10	990	1210	1815	100	620	360	680
KOV20D-750Tb	750	990	5	10	1080	1320	1980	100	660	350	750

## 术语 Glossary

项目 Item	定义 Description
<b>标称压敏电压</b> <b>Nominal Varistors Voltage (VN)</b>	在规定持续时间的脉冲电流下测得 Varistors 两端的电压。注：由 Varistors 制造商规定电流值，否则通常采用 1 mA。除非另有规定，脉冲持续时间应小于 400 ms。通常制造商规定的标称值范围为±10%。—(GB 18802.331) Voltage, at specified d.c. current used as a reference point in the component characteristic. --- (IEC 61051-1)
<b>漏电流</b> <b>Leakage Current (IL)</b>	在 25 °C 或规定的其它温度下，施加最大直流电压时，通过压敏电阻器中的电流。—(GB/T 10193) Current passing through the Varistors at the max. d.c. voltage, and at a temp. of 25 °C, or any other specified temp. --- (IEC 61051-1)
<b>上限类别温度</b> <b>Upper Category Temp. (UCT)</b>	压敏电阻器设计所确定的能够连续工作的最高环境温度。—(GB/T 10193) Max. ambient temp. for which a Varistors has been designed to operate continuously. --- (IEC 61051-1)
<b>下限类别温度</b> <b>Lower Category Temp. (LCT)</b>	压敏电阻器设计所确定的能够连续工作的最低环境温度。—(GB/T 10193) Minimum ambient temp. at which a Varistors has been designed to operate continuously.--- (IEC 61051-1)
<b>最大峰值电流</b> <b>Max. Peak Current</b>	在环境温度 25 °C 时，对于规定的脉冲次数而言，压敏电阻器中允许通过的每个规定脉冲的最大电流值。—(GB/T 10193) Max. current per pulse, which may be passed by a Varistors at an ambient temp. of 25 °C, for a given number of pulses. --- (IEC 61051-1)
<b>箝制电压</b> <b>Clamping Voltage (VC)</b>	规定脉冲峰值电流(IP)及规定波形下测得 Varistors 两端的电压峰值。—(GB 18802.331) Peak voltage developed across the Varistors terminations under standard atmospheric conditions, when passing an 8/20 μs class current pulse. --- (IEC 61051-1)
<b>耐电压</b> <b>Voltage Proof</b>	连续可施加在压敏电阻器引出端和导电性安装之间的最大峰值电压。—(GB/T 10193) Max. peak voltage, which may be applied under continuous operating conditions between the Varistors terminations and any conducting mounting surface. (Applicable only to insulated Varistors) --- (IEC 61051-1)
<b>电容量</b> <b>Capacitance (CV)</b>	两端间的电容量，其测量应在规定的正弦频率和电压以及规定的温度下进行。除非另有规定，推荐采用 25 °C 下、1V <sub>r.m.s.</sub> 、1 kHz 的信号。—(GB 18802.331) Capacitance across the Varistors measured at a specified frequency and voltage. --- (IEC 61643-331)
<b>最大连续交流电压</b> <b>Max. Continuous a.c. Voltage (V<sub>r.m.s.</sub>)</b>	在环境温度 25 °C 时，可以施加在元件上连续工作的、波形基本上是正弦波（总谐波畸变小于 5%）的最大交流电压有效值。当温度高于 25 °C 时，详细规范应给出降额曲线。—(GB/T 10193) Max. a.c. r.m.s. voltage of a substantially sinusoidal waveform (less than 5% total harmonic distortion) which can be applied to the component under continuous operating conditions at 25 °C. --- (IEC 61051-1)
<b>最大连续直流电压</b> <b>Max. Continuous d.c. Voltage (V<sub>dc</sub>)</b>	在环境温度 25 °C 时，可以施加在元件上连续工作的最大直流电压（纹波小于 5%）。当温度高于 25 °C 时，详细规范应给出降额曲线。—(GB/T 10193) Max. d.c. voltage (with less than 5% ripple) which can be applied to the component under continuous operating conditions at an ambient temp. of 25 °C. --- (IEC 61051-1)
<b>热熔断体</b> <b>Thermal-link</b>	也称为热断路器或温度保险丝，是装有热元件的不可复位的器件，当它暴露在超过所设计的温度下达到一个足够长的时间时就会将电路断开。—(GB 9816) Thermal-link / Thermal Cutoff (TCO) / thermal fuse. A non-resettable device incorporating a TCO which will open a circuit once only when exposed for a sufficient length of time to a temp. in excess of that which it has been designed.--- (IEC 60691)
<b>额定动作温度</b> <b>Rated Functioning Temp. (T)</b>	通不超过 10mA 的探测电流时，测得的使温度保险丝导电状态改变的温度。—(GB 9816) The Temp of the TCO which causes it to change its state of conductivity with a detection current up to 10mA as the only load. --- (IEC 60691) 实测动作温度：置于油池中，通 10mA 以下的负载电流，每分钟升温(0.5 - 1) °C，测得的使温度保险丝导电状态改变的温度。—(GB 9816) Fusing Temp.: The Temp. of the TCO which causes it to change its state of conductivity with a detection current up to 10mA as the only load. It is measured with a silicone oil bath in which the Temp. is increased at the rate of (0.5 - 1) °C /min. --- (IEC 60691) 允许偏差 Tolerance: Tf +0/-10 °C (GB 9816, UL 60691, EN 60691, K60691) 允许偏差 Tolerance: Tf ±7 °C (J60691)

尺寸 Dimensions

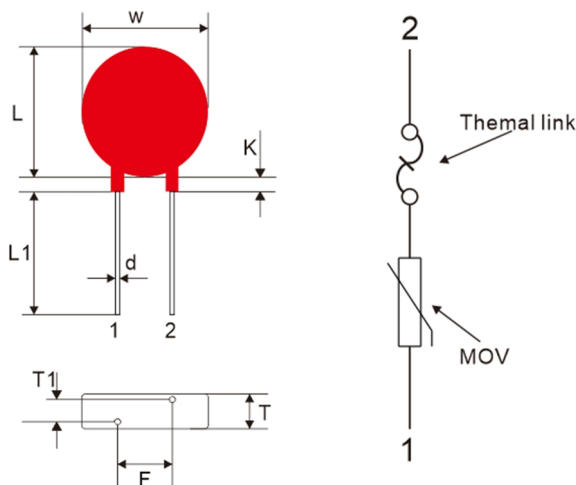
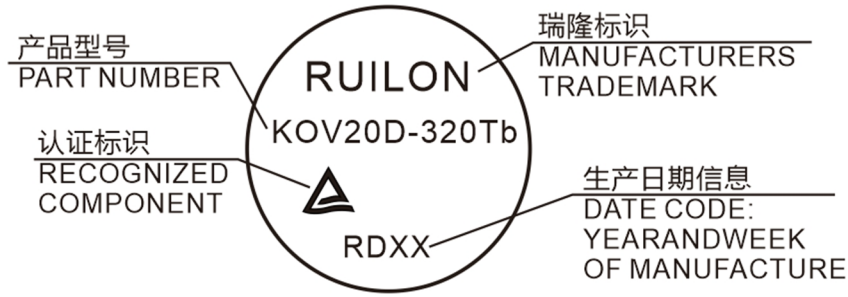


TABLE 1		
Symbol	Millimeters	Inches
W(max)	24.0	0.945
L(max)	26.0	1.024
L1(±1.0)	20.0	0.787
F(±0.5)	7.5	0.295
K(max)	3.0	0.118
T,T1	TABLE2	
d(±0.05)	Φ1.0	0.041

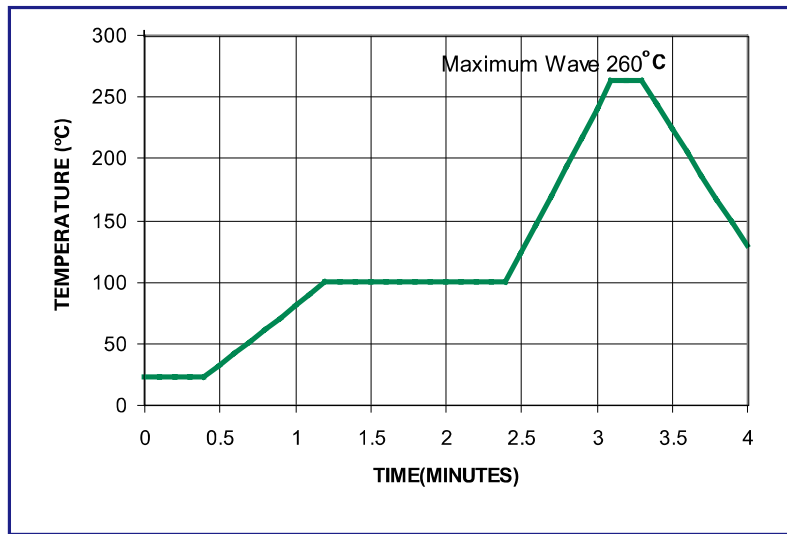
TABLE 2

产品型号 Type Number	T (max)		T1 (±1.0)	
	Millimeters	Inches	Millimeters	Inches
KOV20D-050Tb	8.4	0.331	3.6	0.142
KOV20D-060Tb	8.4	0.331	3.6	0.142
KOV20D-130Tb	8.4	0.331	3.6	0.142
KOV20D-140Tb	8.5	0.335	3.7	0.146
KOV20D-150Tb	8.6	0.339	3.8	0.150
KOV20D-175Tb	8.8	0.344	4.0	0.156
KOV20D-190Tb	8.9	0.350	4.1	0.161
KOV20D-210Tb	9.1	0.356	4.3	0.167
KOV20D-230Tb	9.2	0.362	4.4	0.173
KOV20D-250Tb	9.4	0.368	4.6	0.179
KOV20D-275Tb	9.6	0.376	4.8	0.187
KOV20D-300Tb	9.8	0.384	5.0	0.195
KOV20D-320Tb	10.0	0.392	5.2	0.203
KOV20D-350Tb	10.2	0.402	5.4	0.213
KOV20D-385Tb	10.5	0.413	5.7	0.224
KOV20D-420Tb	10.8	0.425	6.0	0.236
KOV20D-460Tb	11.2	0.439	6.4	0.250
KOV20D-510Tb	11.5	0.453	6.7	0.264
KOV20D-550Tb	12.0	0.470	7.2	0.281
KOV20D-620Tb	12.4	0.488	7.6	0.299
KOV20D-680Tb	12.9	0.508	8.1	0.319
KOV20D-750Tb	13.4	0.528	8.6	0.339

标识 Logotype



波峰焊参数 (参考) Wave Soldering Parameters (For Reference Only)




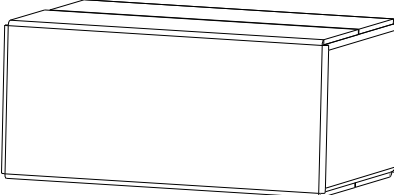
项目 Items	温度 Temp. (°C)	时间 Time (s)
预热 Preheating	80 to 100	60 to 150
过锡 Dwelling	250 to 260	2 to 4

推荐的手工焊参数 Recommended Hand-Soldering Parameters

项目 Item	条件 Condition
烙铁头温度 Iron Temperature	350 °C (Max.)
焊接时间 Soldering Time	4 seconds (Max.)
焊接点距产品底部的距离 Distance between Soldering Point and the Bottom of Product	2 mm (Min.)

**包装信息 Packaging Information - 20 mm Disc**

散装 BULK:

Inner box size	Outer box size	Quantity
<p>Size: 260*208*55(mm)</p> 	<p>Size: 435*275*200(mm)</p> 	<ul style="list-style-type: none"> <li>• 1800 pcs. per carton</li> <li>• 150 pcs. per bag</li> <li>• 2 bags per inner box</li> <li>• 6 inner boxes per carton</li> </ul>